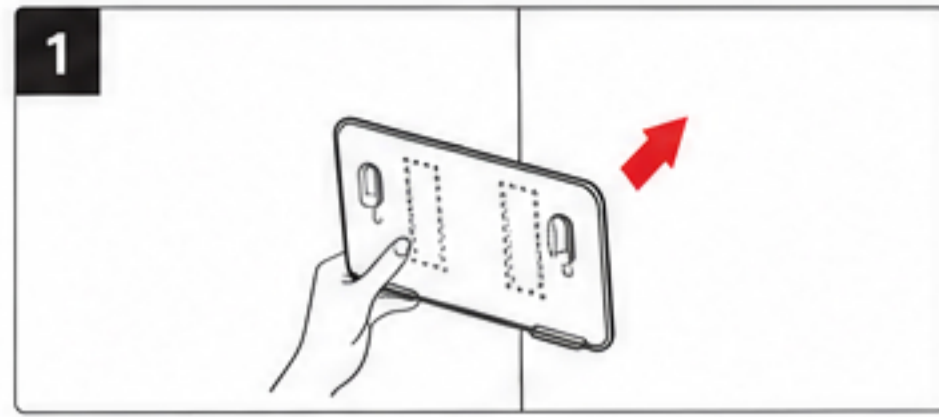
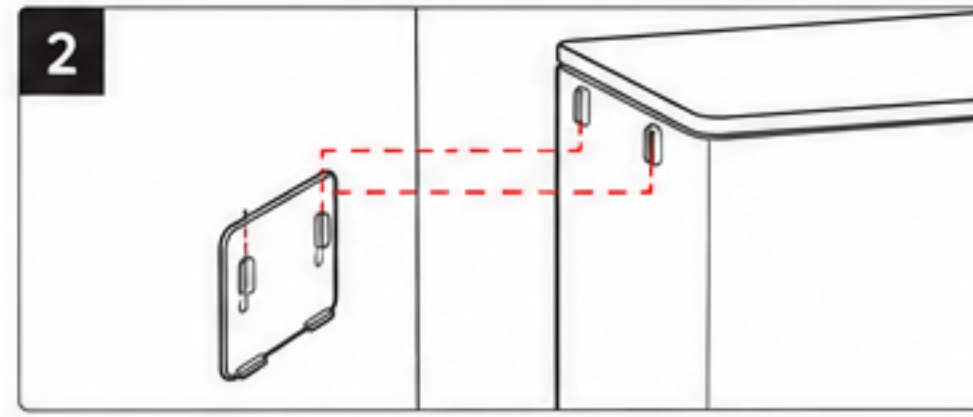


WALL MOUNT

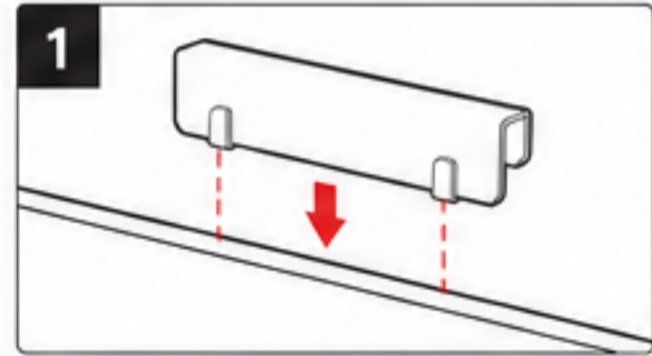


1
Peel & stick
Attach adhesive tape to the bracket.

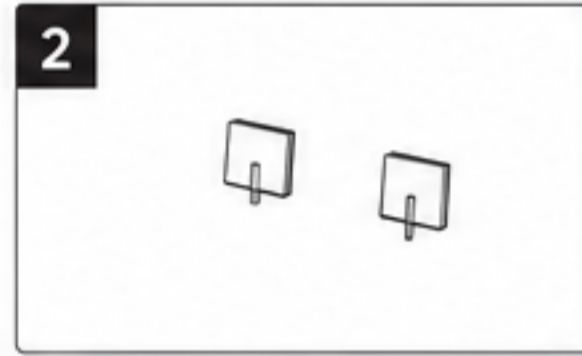


2
Wait 10 min
Mount the bracket on the wall and hang the bin.

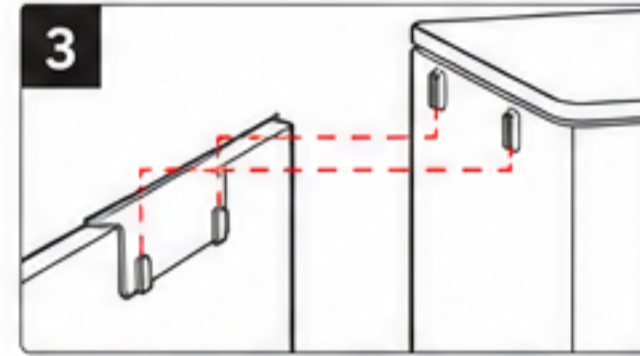
DOOR MOUNT



1
Hook on
Place the bracket over the door.

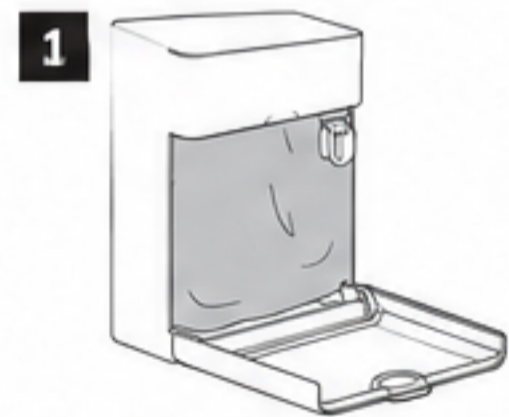


2
Add spacers
Use spacers if the door is too thin.



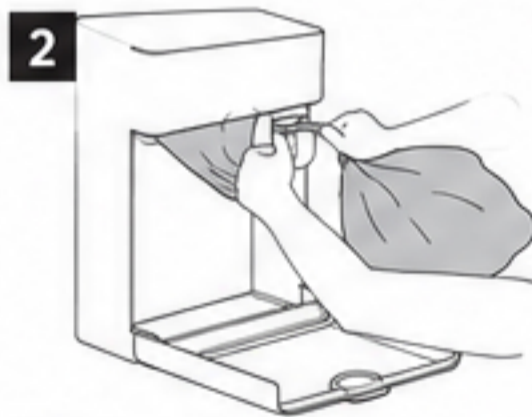
3
Hang bin
Attach the bin to the bracket.

EMPTY THE BAG



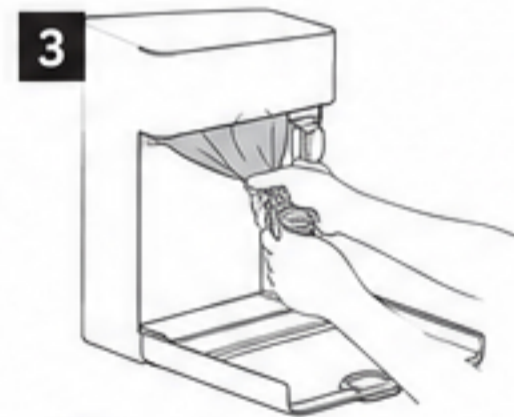
1
Open door
Pull the filled bag out.

>



2
Tie & cut
Tie the bag and cut at the safety cutter.

>



3
Dispose
Remove the bag and continue.



WARNING

- Keep away from fire.
- Keep bags away from children.
- Do not overload the door.
- Use genuine refills only.



MAGIKAN
BiiNü



CONTINUOUS
BAG SYSTEM



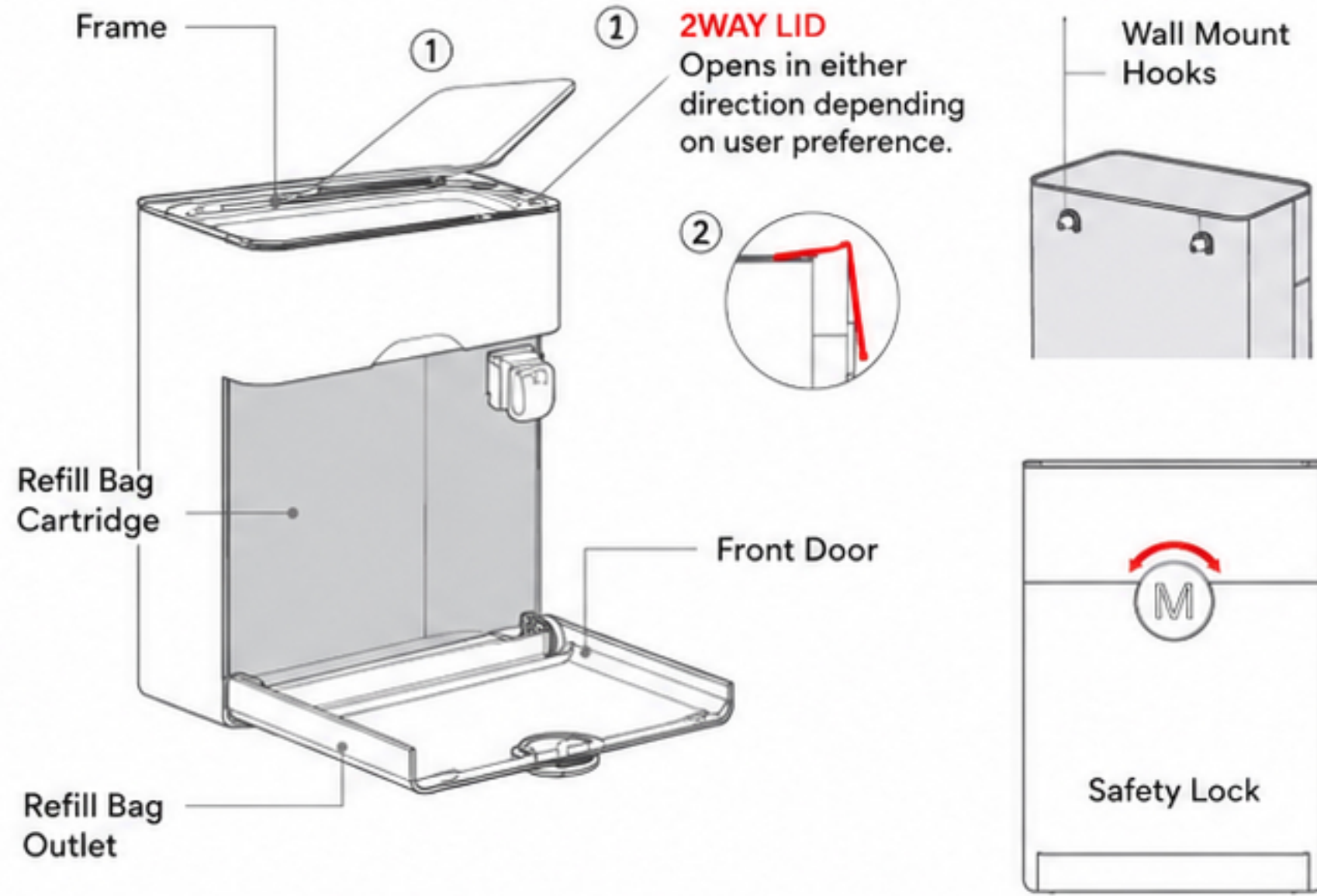
ODOR
CONTROL



EASY
EMPTYING

INSTRUCTION MANUAL

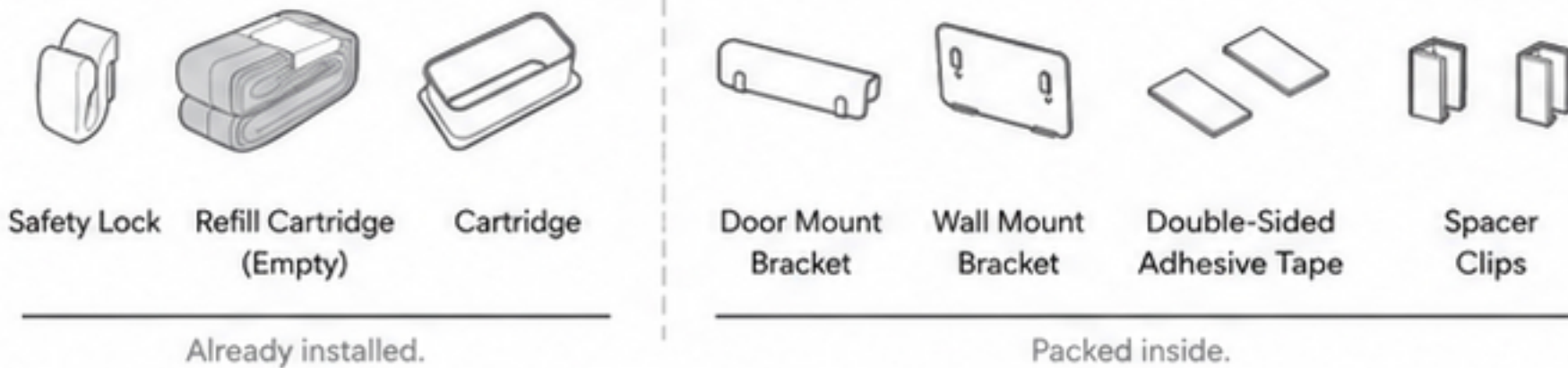
PARTS OVERVIEW



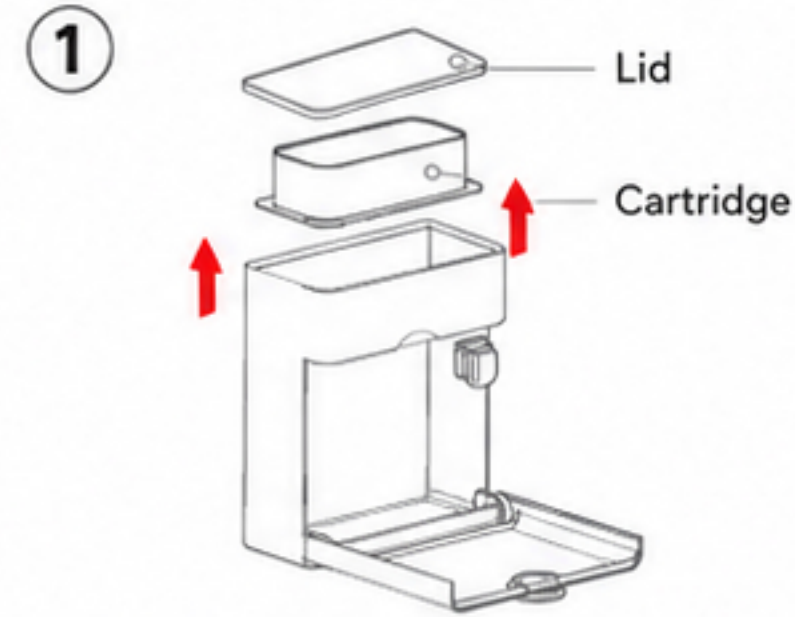
※ To replace the refill cartridge, lift the lid slightly and open.

INCLUDED PARTS

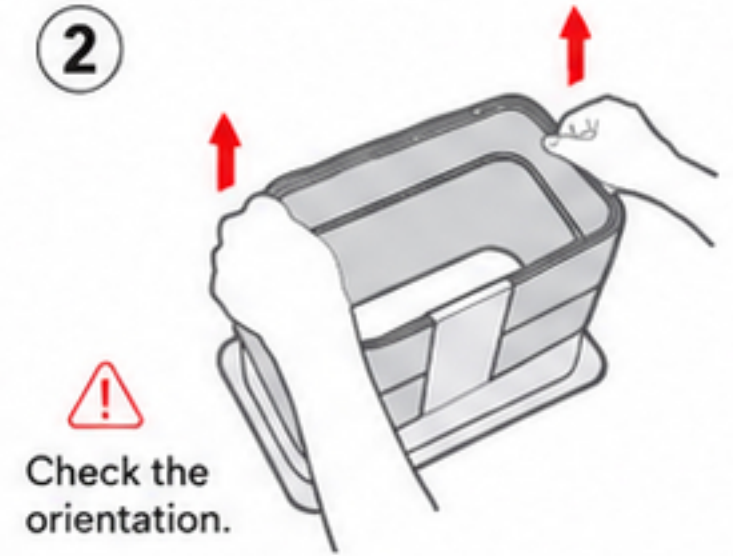
※ Parts can also be purchased separately.



REFILL REPLACEMENT



Open the lid and lift the refill cartridge up to remove.



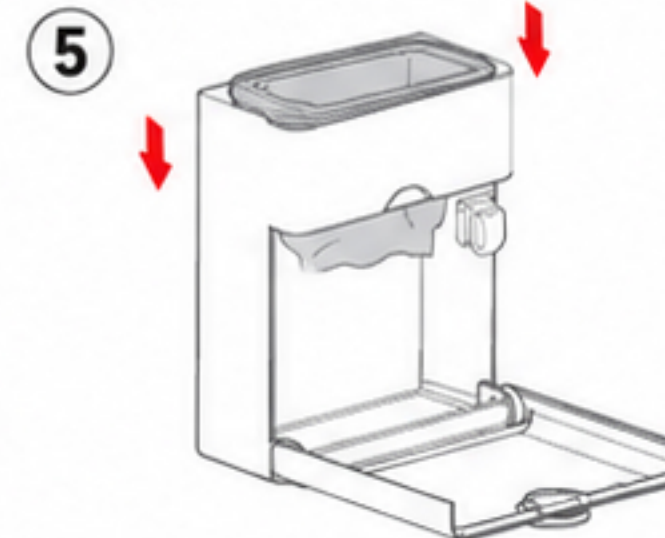
Insert a new refill bag into the cartridge and remove the retaining ring.



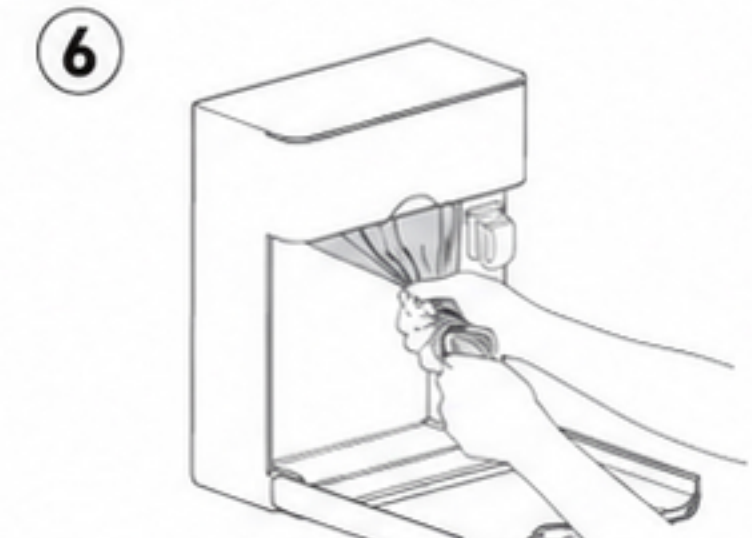
Pull the refill film up and draw out approx. 30 cm (12 in).



Push the pulled film into the center opening of the cartridge.



Reinsert the cartridge into the bin.



Pull the refill bag downward and tie a knot at the end to begin use.



- Keep away from fire and high heat.
- Keep plastic bags out of reach of children.

- Do not place excessive weight on the lid or front door.
- Use only genuine refill cartridges for best performance.