

Janibell® Disposal System

Compact & Convenient Under-Cabinet Solution

Janibell M250H



Maximize Space and Enjoy Hygienic Disposal

Where space is at a premium, the compact Janibell® M250H provides convenient and sanitary waste disposal. With simple mounting on a cabinet door, the Janibell® M250H features a fully automatic open/close odor-blocking lid. M250H is rust-free and great for a motor home, RV, small apartment or work space where floor is limited.



Janibell.com



Janibell® Disposal System

Compact & Convenient Under-Cabinet Solution



Odor Free

Odor sealing lid only open during disposal



Hands Free

Door activated / automatic open/close lid



Green

Environmentally friendly biodegradable bag liner

Janibell® M250H

Space saving design and high quality construction. Made with light weight but extremely durable ABS resin and backed by a Manufacturer's Limited Lifetime Warranty.



For more information, please visit: www.janibell.com/diapers



1 Open front door and pull out bag

2 Cut liner on door mount cutter

3 Create a new liner by tying a new knot

The continuous liners is the root of the Janibell® revolution. The liner comes in a single pre-packed accordion-folded roll that is up to 100 feet long. When the bottom of the liner is tied off, a new bag is formed. No more wasted bag liners. You use only what you need.



BIODEGRADABLE

Janibell® liners are flexible strong, tear resistant, and environmentally friendly.

Liner material is 100% biodegradable in either landfill and compost.

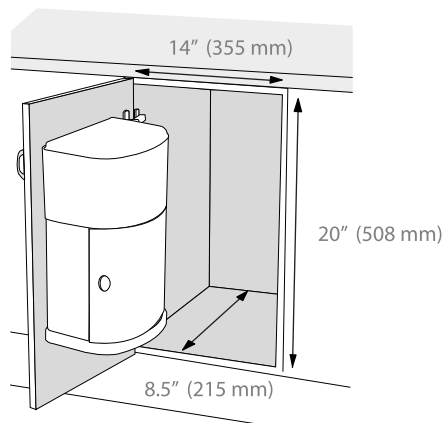
250CR10B	Up to 400 bags	12 microns thick
250R3B	Up to 120 bags	18 microns thick



Model No.: M250HW
 Material: ABS Resin
 Capacity: 4 Gal.
 Weight: 3.57 lbs. (1.62 kg.)
 Dimension: 10.4" x 8.46" x 17.52"
 (255 x 215 x 445 mm)
 Color: White

* Minimum Installation Requirement

Illustrated below is the minimum cabinet space requirement to install the M250H. Please confirm your installation space is no smaller than these measurements prior to purchase.



Sinclair Worldwide, Inc.

2260 S. Haven Ave. Unit B. | Ontario, California 91761 USA
 Phone 800-856-0332 | Fax 909-947-1659 | Email info@janibell.com

janibell.com