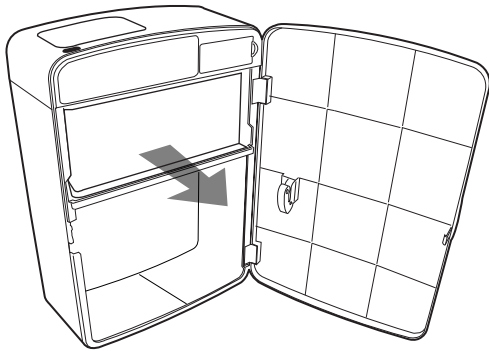




## JANIBELL® PRIVÉ LINER INSTALLATION GUIDE

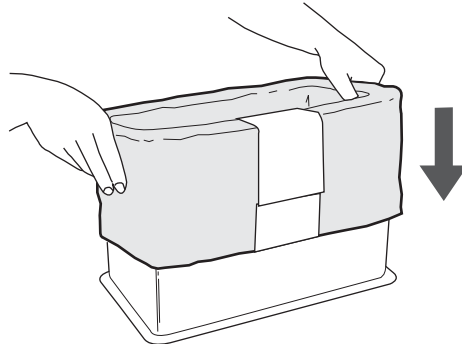
1

Open front door and pull out empty refill cartridge.



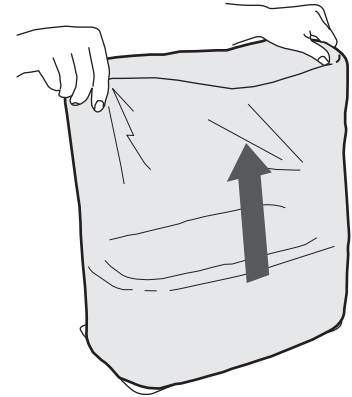
2

Slide new refill over empty refill cartridge.



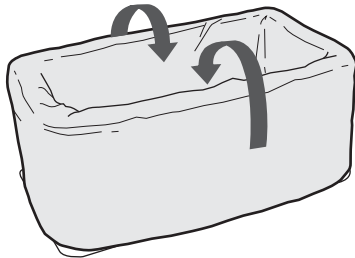
3

Remove the paper band and pull up OUTER LAYER of the refill.



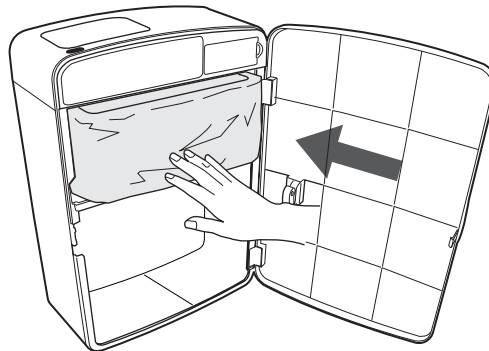
4

Push refill down through the middle of the cartridge.



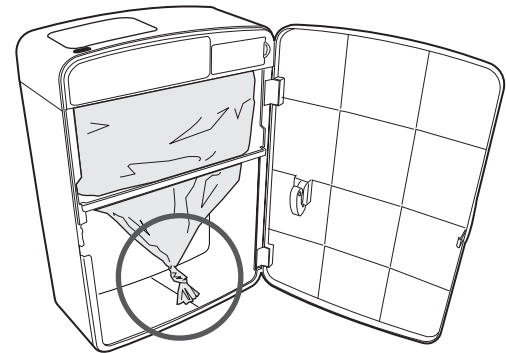
5

Insert the cartridge, with the newly installed refill back into the PRIVÉ.



6

Pull refill down and tie a knot.



Watch instruction video  
on your smartphone

For further assistance please visit [www.janibell.com](http://www.janibell.com), or, call our Customer Service Department at 1-800-856-0332 Monday through Friday, 7:00 am ~ 3:30 pm PST.